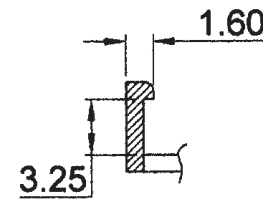
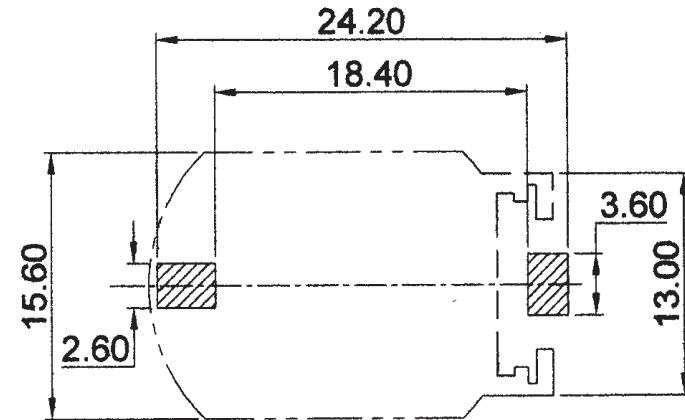


SECTION A-A



SECTION B-B



PCB MOUNTING LAYOUT

### Specifications

- Current Rating: 3A, AC/DC
- Voltage Rating: 250V, AC/DC
- Contact Resistance: 30 milliohms
- Insulation Resistance: 1000 megaohms
- Operating Temperature: -55°C to +85°C
- Humidity: 40°C and 90-95% RH for 96 hours
- Housing: PPS 30%GF, UL94V0, Brown Color
- Contact: Phosphor Bronze 0.25 Thickness
- Contact Plating: Gold 1µm Plated Over Nickel 5µm Min.

| General Tolerance |            |
|-------------------|------------|
| X. ± 0.30         | Angle ± 3° |
| .XX ± 0.20        |            |
| .XXX ± 0.10       |            |
| Units : mm        |            |