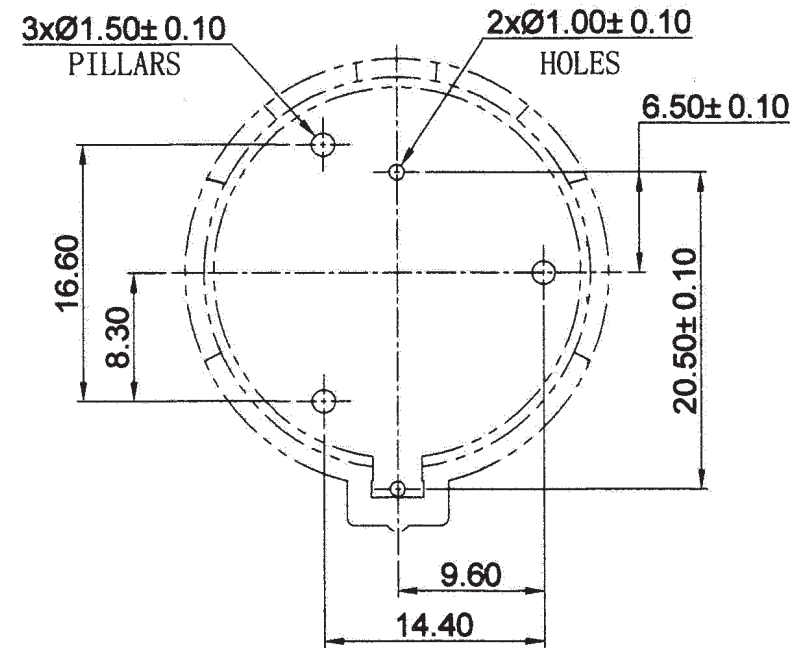


SECTION A-A



PCB MOUNTING LAYOUT

## Specifications

- Current Rating: 3A, AC/DC
- Voltage Rating: 500V, AC/DC
- Contact Resistance: 100 milliohms
- Insulation Resistance: 100 megaohms
- Operating Temperature: -40°C to +105°C
- Humidity: 40°C and 90-95% RH for 96 hours
- Housing: Nylon66, UL94V0, Black Color
- Contact: Phosphor Bronze 0.6 Thickness
- Contact Plating: Tin Plated over Nickel

General Tolerance	
X. ± 0.30	Angle ± 3°
.XX ± 0.20	
.XXX ± 0.10	
Units : mm	