

### MATERIAL AND FINISHES:

- **INSULATOR:**  
PBT Glass Filled  
UL 94V-0
- **CONTACT:**  
Copper Alloy
- **SHELL:**  
Steel
- **HOOD:**  
Steel
- **PLATING:**  
-Contact  
1- Gold Flash (Complete)  
2- Selective Gold Over Nickel Plated (Contact Area)  
Tin/Lead Over Nickel Plated (Tail Area)  
-Shell  
Nickel over Copper Plated  
-Hood  
Nickel over Copper Plated

### ELECTRICAL CHARACTERISTICS:

- **RATING CURRENT:**  
1 Amp.
- **CONTACT RESISTANCE:**  
< 25 Milliohm
- **INSULATION RESISTANCE:**  
> 1000 Megohm at 500V
- **DIELECTRIC VOLTAGE:**  
1000V at 1 Minute
- **OPERATING TEMPERATURE:**  
-55°C to +105°C

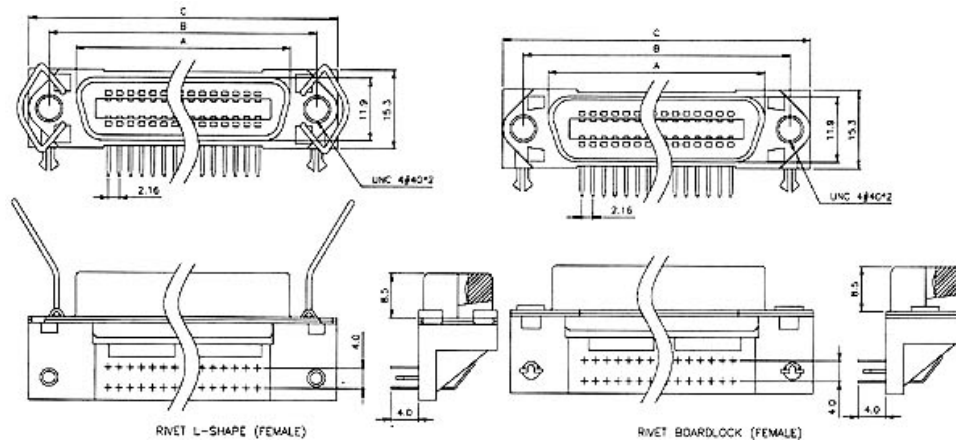


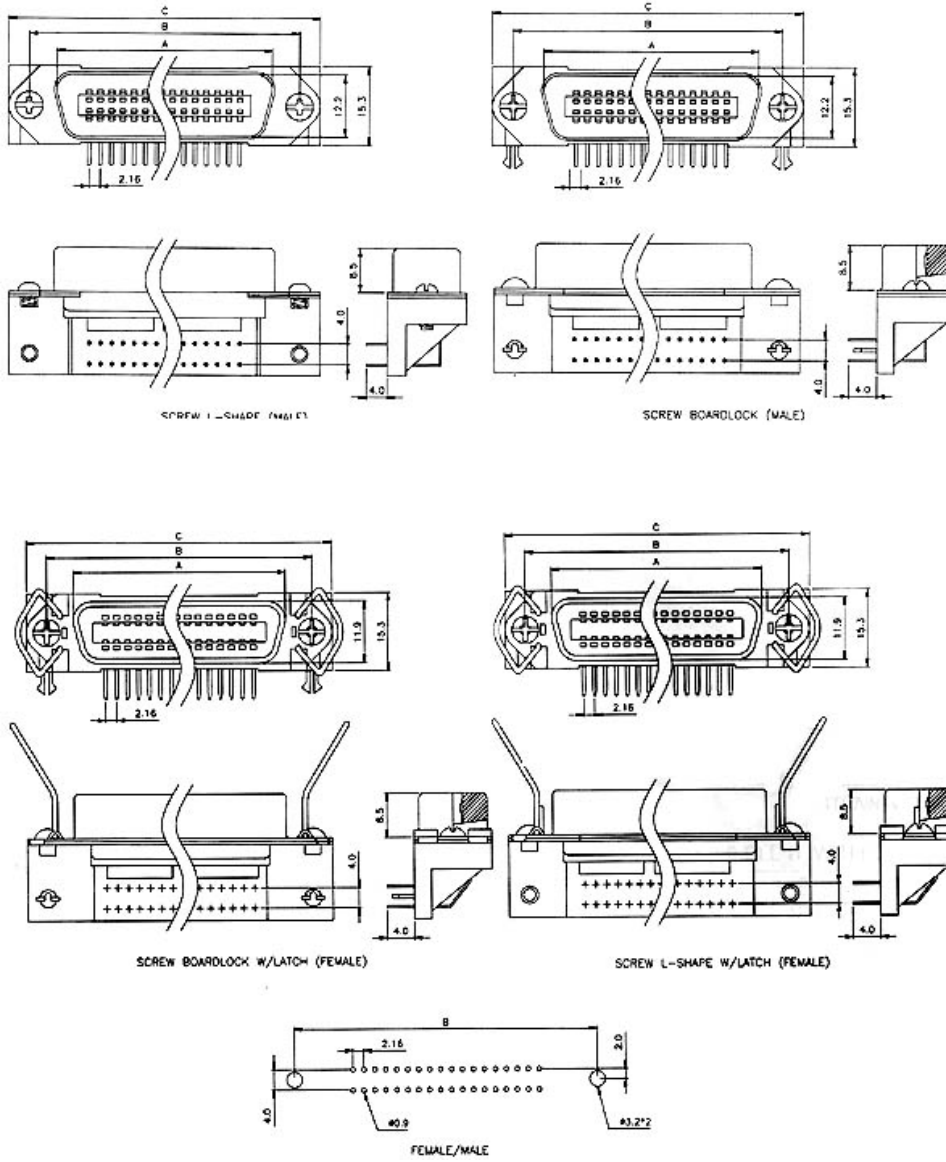
FEMALE Unit: mm

POSITION	A	B	C
14F	25.20	36.00	43.90
24F	36.00	46.80	54.70
36F	48.90	59.70	67.70
50F	64.10	74.90	82.80

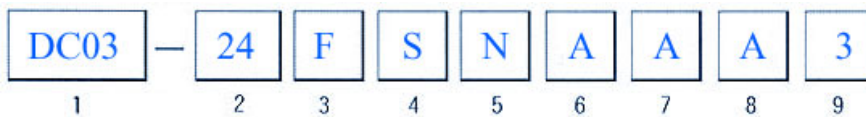
MALE Unit: mm

POSITION	A	B	C
14M	25.50	36.00	43.90
24M	36.30	46.80	54.70
36M	49.30	59.70	67.70
50M	64.40	74.90	82.80





**HOW TO ORDER:**



**1. Series**  
DC03

**4. Contact Plating**  
S = Selective Gold  
C = 15 μ" Gold  
D = 30 μ" Gold

**7. Type Option**  
A = w/o Mounting Clip Rivet (Female)  
B = Mounting Clip Rivet (Female)  
C = Panel Type Non-Accessories (Male)

**2. Contact Number**  
14 24 36 50

**5. Shell Plating**  
N = Nickel

**8. Parts Option**  
A = w/o Latch  
B = w/Latch

**3. Contact Type**  
M = Male  
F = Female

**6. Process Option**  
A = Screw w/Boardlock  
B = Rivet w/Boardlock  
C = Screw w/L-Shape  
D = Rivet w/L-Shape

**9. Insulator Color**  
2 = Blue  
3 = Black