

MATERIAL AND FINISHES:

- **INSULATOR:**
PBT Glass Filled
UL 94V-0
- **CONTACT:**
Copper Alloy
- **SHELL:**
Steel
- **HOOD:**
Steel
- **PLATING:**
-Contact
1- Gold Flash (Complete)
2- Selective Gold Over Nickel Plated (Contact Area)
Tin/Lead Over Nickel Plated (Tail Area)
-Shell
Nickel over Copper Plated
-Hood
Nickel over Copper Plated

ELECTRICAL CHARACTERISTICS:

- **RATING CURRENT:**
1 Amp.
- **CONTACT RESISTANCE:**
< 25 Milliohm
- **INSULATION RESISTANCE:**
> 1000 Megohm at 500V
- **DIELECTRIC VOLTAGE:**
1000V at 1 Minute
- **OPERATING TEMPERATURE:**
-55°C to +105°C

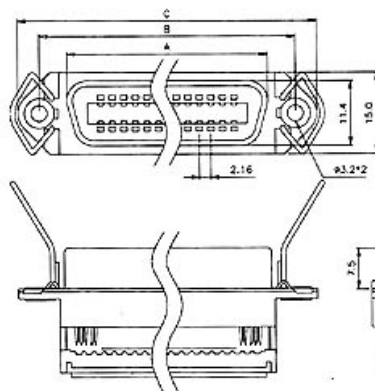


FEMALE Unit: mm

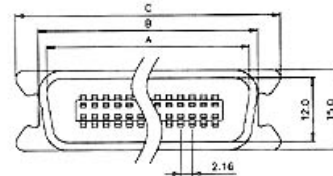
POSITION	A	B	C
36F	48.90	59.70	67.70
50F	64.10	74.90	82.80

MALE Unit: mm

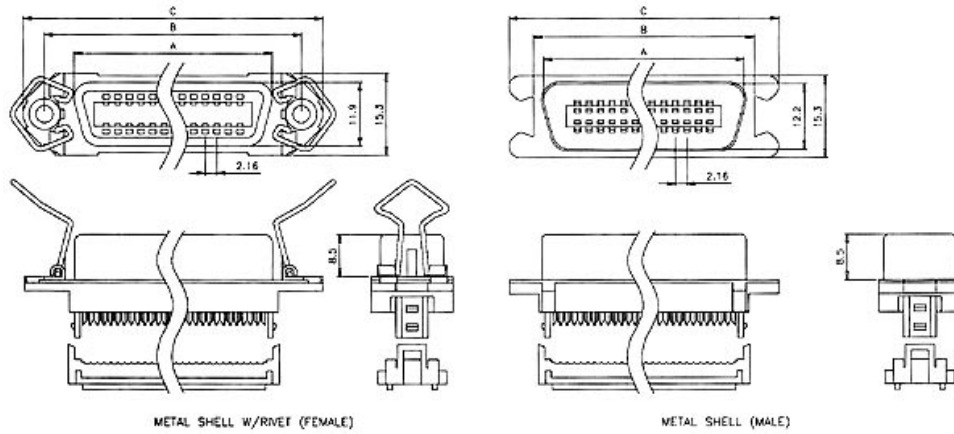
POSITION	A	B	C
36M	49.30	59.70	67.70
50M	64.40	74.90	82.80



ALL PLASTIC W/RIVET (FEMALE)



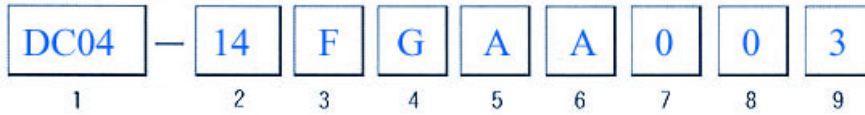
ALL PLASTIC (MALE)



METAL SHELL W/RIVET (FEMALE)

METAL SHELL (MALE)

HOW TO ORDER:



1. Series

DC04

4. Contact Plating

- S = Selective Gold
- G = Gold Flash
- C = 15 μ " Gold
- D = 30 μ " Gold

7. Fill it with "0"

2. Contact Number

14 24 36 50

5. Type Option

- A = All Plastic
- B = Metal Shell
- C = All Plastic w/Rivet
- D = Metal Shell w/Rivet

8. Fill it with "0"

3. Contact Type

M = Male
F = Female

6. Parts Option

- A = w/o Strain Relief
- B = w/Strain Relief

9. Insulator Color

2 = Blue
3 = Black