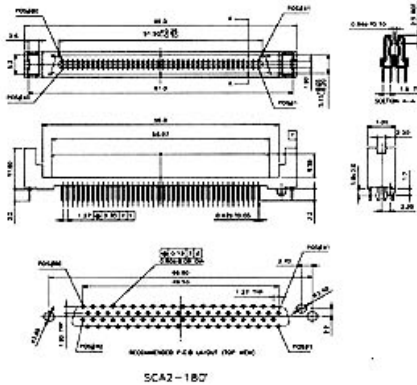
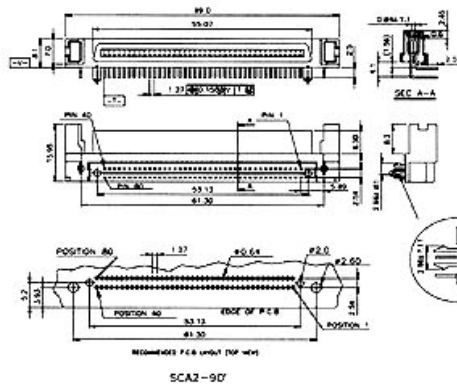
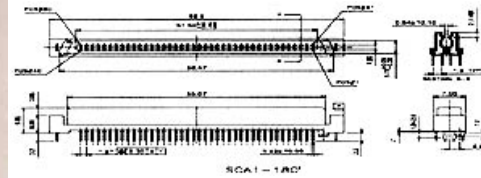
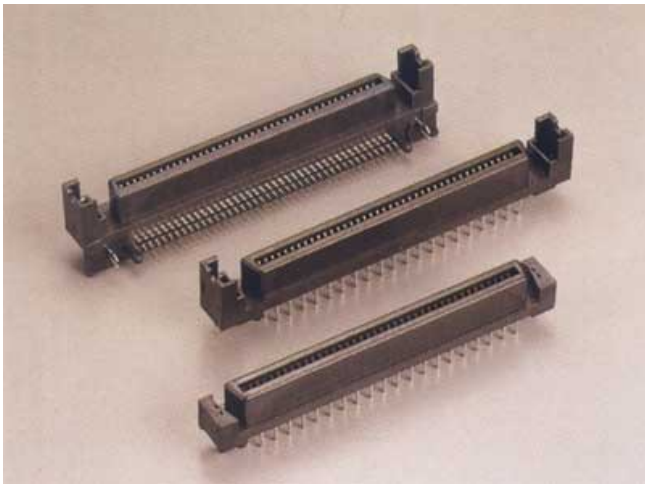


MATERIAL AND FINISHES:

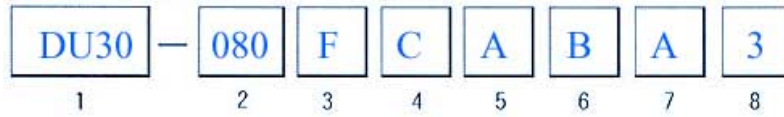
- **INSULATOR:**
PBT Glass Filled
Nylon-6T (Pin Header, Female Header)
UL 94V-0
- **CONTACT:**
Phosphor Bronze
- **SHELL:**
Zinc Alloy
- **HOOD:**
Zinc Alloy or P.V.C.
- **PLATING:**
-Contact
1- Gold Flash
2- Selective Gold Over Nickel Plated (Contact Area)
Tin/Lead Over Nickel Plated (Tail Area)
-Shell and Hood
Nickel Plated

ELECTRICAL CHARACTERISTICS:

- **RATING CURRENT:**
1 Amp.
- **CONTACT RESISTANCE:**
< 15 Milliohm
- **INSULATION RESISTANCE:**
> 500 Megohm at 500V
- **DIELECTRIC VOLTAGE:**
500V at 1 Minute
- **OPERATING TEMPERATURE:**
-55°C to +105°C



HOW TO ORDER:



1. Series

DU30

4. Contact Plating

C = 15 μ " Gold

7. Parts Option

A = w/Polarizing Peg

2. Contact Number

080

5. Process Option

A = SCA2 Right Angle

B = SCA1 Straight

C = SCA2 Straight

8. Insulator Color

3 = Black

3. Contact Type

F = Female (Length 3.2mm)

B = Female (Length 4.0mm)

6. Grounding Option

A = Boardlock

B = Boardlock for SCA2

Straight Type