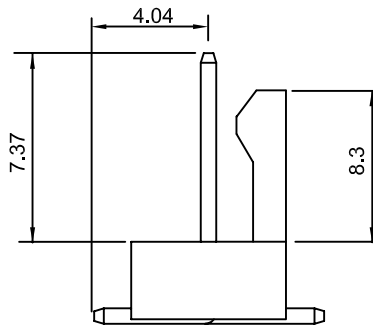
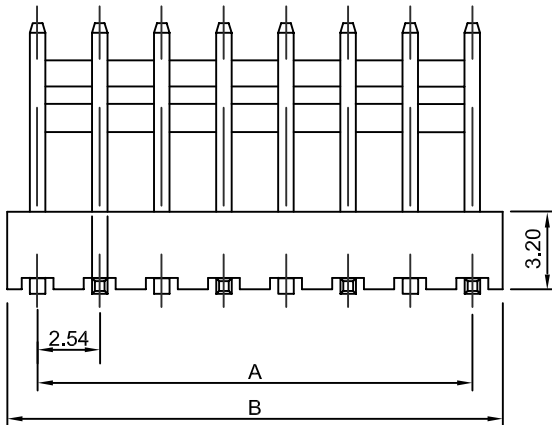
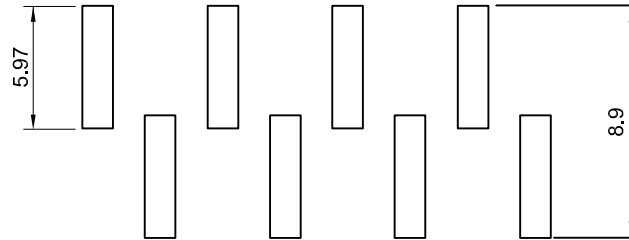
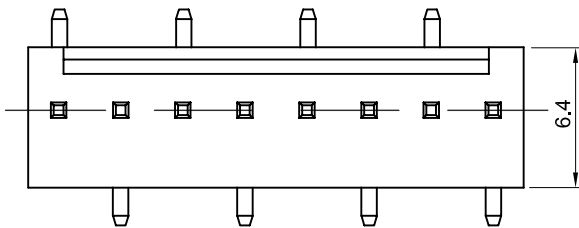


Recommended P.C. Board Hole Layout



Specifications

Current Rating: 2AAC, DC
Voltage Rating: 250V AC, DC
Operating Temperature: -25°C ~ +85°C
Contact Resistance: 10mΩ Max
Insulation Resistance: 1000MΩ Min
Terminal Material: Brass/Tin-plated
Material: Nylon 66, UL94V-2
Insulator Color: Red Brick (Standard Color)

Part Numbering System

W25483C-XX T

Series

Contact Plating:

T: Tin

Number of Contact:

2 ~ 20

# of Contact	Dimensions mm		# of Contact	Dimensions	
	A	B		A	B
2	2.54	5.10	11	25.40	28.10
3	5.08	7.68	12	27.94	30.64
4	7.62	10.24	13	30.48	33.20
5	10.16	12.78	14	33.02	35.74
6	12.70	15.24	15	35.56	38.20
7	15.24	17.88	16	38.10	40.84
8	17.78	20.44	17	40.64	43.40
9	20.32	23.00	18	43.18	45.94
10	22.86	25.54	19	45.72	48.50
11	25.40	28.10	20	48.26	51.05

General Tolerance	
X. ± 0.50	X.° ± 5°
.X ± 0.20	.X° ± 2°
.XX ± 0.10	.XX° ± 1°
Units : mm	